



# AERIAL WORK PLATFORMS

## PT 200

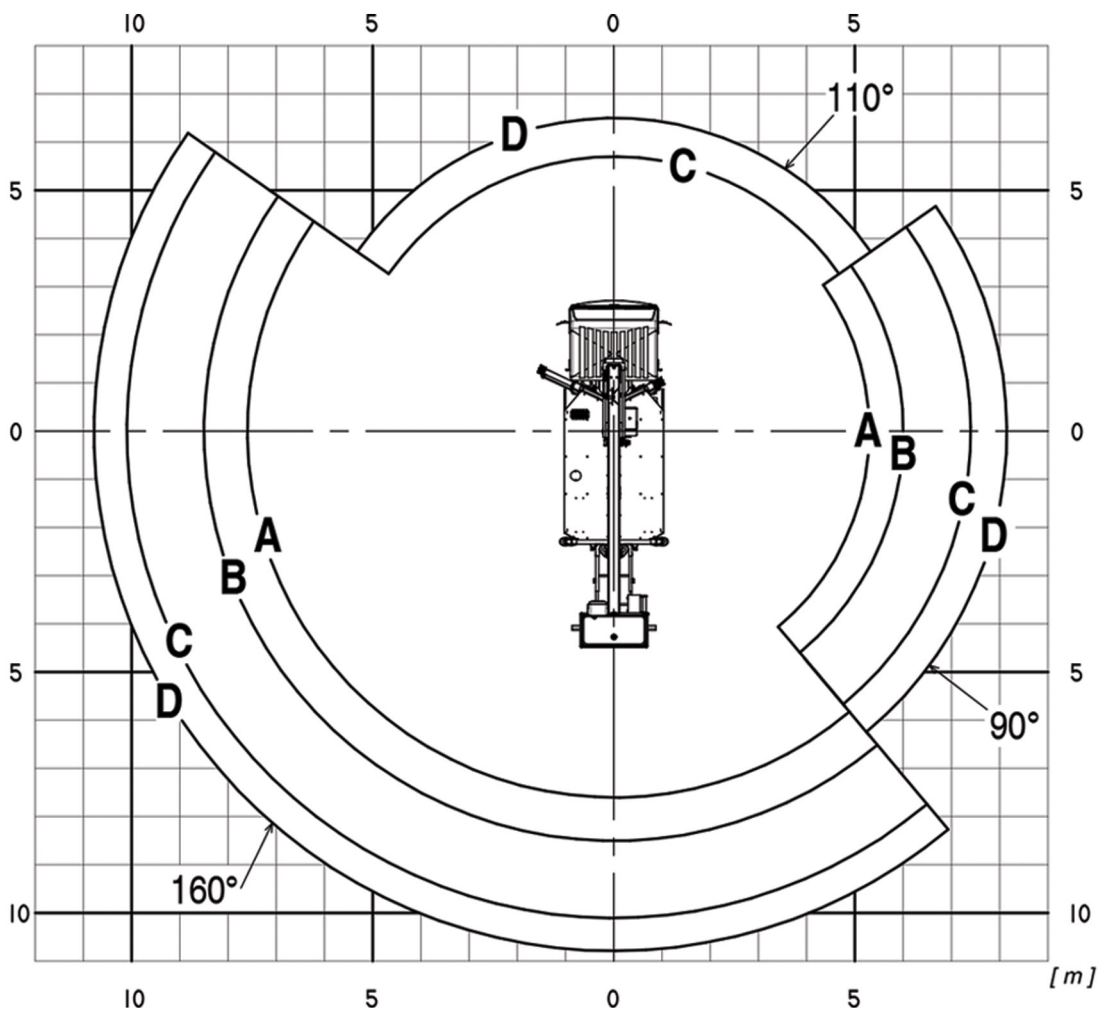
ISOLI S.p.A. via Boschi, 44 35014 Fontaniva (Padova) ITALY  
tel. +39.049/9438611 fax. +39.049/9438600 / p iva 0020297 028 1





### Truck-mounted aerial lift work platform



#### Specifications

- Max. working height: 19,80 m.
- Max Working boom extension: 10,8 m. EH-H
- Safe working load 250 Kg.
- N. operators 2
- Max manual force 40 daN
- Max wind speed 12,5 m/s
- Working boom: Telescopic end 3 section element
- Boom angle: -20° / + 76°
- Upperstructure rotation 400°
- Platform Aluminium 1390x715x1115
- Platform rotation hydraulic 90°RH+90°LH
- Platform levelling hydraulic
- Outriggers: Hydraulic, extending 8220;H8221; type at front/8220;H8221; type at rear
- Outriggers minimum width: Front 1.92/2.98 m Rear 2.01 m
- Controls hydraulic
- Minimum installation TWG 3.5 t



- A=  MAX 250 kg
- B=  MAX 200 kg
- C=  MAX 120 kg
- D=  MAX 80 kg